

## Fork joints

with rotating shaft

### SPECIFICATION

#### Types

- Type **A**: without pin
- Type **KL**: Pin with KL-shaft safety
- Type **SL**: Pin with SL-shaft safety

#### Steel

- Tensile strength class 5
- zinc plated, blue passivated

#### Shaft safetys

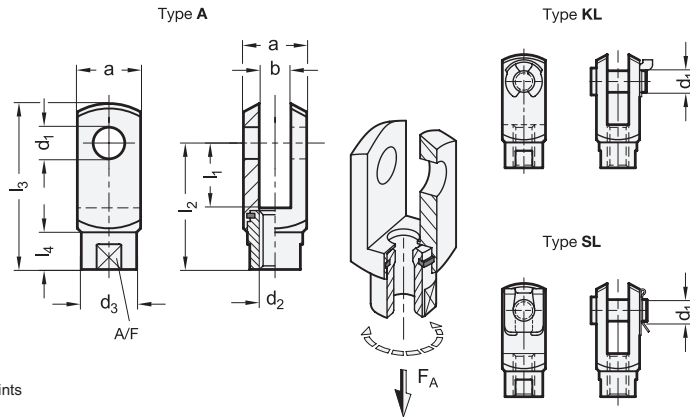
- Spring steel
- hardened and tempered
- zinc plated, blue passivated

### INFORMATION

Fork joints GN 751.1 basically correspond to the fork head of DIN 71752 (Type A), but, unlike the DIN element, they have a rotating shaft and an additional bolt with axial shaft lock (Type KL and SL) which can be mounted and dismantled without tools (see page 1152). The rotating shaft allows non-dynamic radial movements to be compensated, movements which may occur e.g. when using cable winches. Also, there is no need for the otherwise necessary alignment of joint heads during assembly.

### TECHNICAL INFORMATION

- ISO-Fundamental Tolerances (see page A21)
- Strength values of nuts (see page A20)



\* Complete with type index of the Fork joints

A      KL      SL

### GN 751.1

Description	d1 H9/h11	l1	d2	a	b	d3	l2	l3	l4	A/F	Static load FA in N	⚖
GN 751.1-5-10-M5-*	5	10	M 5	10	5	9	20	26	4	7	800	9
GN 751.1-5-20-M5-*	5	20	M 5	10	5	9	30	36	4	7	800	12
GN 751.1-6-12-M6-*	6	12	M 6	12	6	10	24	31	5.5	9	2400	15
GN 751.1-6-24-M6-*	6	24	M 6	12	6	10	36	43	5.5	9	2400	22
GN 751.1-8-16-M8-*	8	16	M 8	16	8	14	32	42	8	12	3400	38
GN 751.1-8-32-M8-*	8	32	M 8	16	8	14	48	58	8	12	3400	53
GN 751.1-10-20-M10-*	10	20	M 10	20	10	18	40	52	11.5	16	6000	74
GN 751.1-10-40-M10-*	10	40	M 10	20	10	18	60	72	11.5	16	6000	102
GN 751.1-12-24-M12-*	12	24	M 12	24	12	20	48	62	14	18	14000	122
GN 751.1-12-48-M12-*	12	48	M 12	24	12	20	72	86	14	18	14000	174

Weight type A

